

# CRO 圓型 (焊1PT) 油壓缸採購指南

## 14Mpa Hydraulic Cylinders How to Order Series

### 圓形油壓缸特性資料 Specification

氣壓缸內徑 Bore sizes of cylinder(mm)	Ø50	Ø63	Ø80	Ø100	Ø125		
缸管材質 Material of cylinder barrel	鋼管 Carbon steel STKM-13C OR ST52						
使用壓力範圍 The range of pressure(MPa)	0.3-14MPa(3-140kgf/cm <sup>2</sup> )/另有高壓可特殊訂製,請來電洽詢						
使用溫度範圍 The range of temperature(c°)	NBR/PU{-25°~+80°(C°)} / VITON{-10°~150°(C°)}						
使用速度範圍 The range of speed(mm/sec)	8~300(mm/sec)/另有低摩擦高速油封選用(1000mm以上/sec),請來電洽詢						
標準衝程活塞(PM)的長度,長衝程活塞與繫緊模式請參閱(頁)	45	50	50	60	70		
各缸徑最大容許衝程 STROKE .mm Max.Permissible	參閱有關軸心挫曲與缸體固定形式技術資料						
衝程之容許公差/Tolerance of stroke	衝程/STROKE	100 以下	100~250	250~630	631~1000	1001~1600	1601以上
JIS B 8354 B級/Refer to Right Table	容許差/Tolerance	0~+0.8	0~+1.0	0~+1.25	0~+1.4	0~+1.6	0~+1.8
活塞桿螺紋加工精度/Accuracy of Threading at Rod End	JIS 6g/6H(相當JIS 2級)						

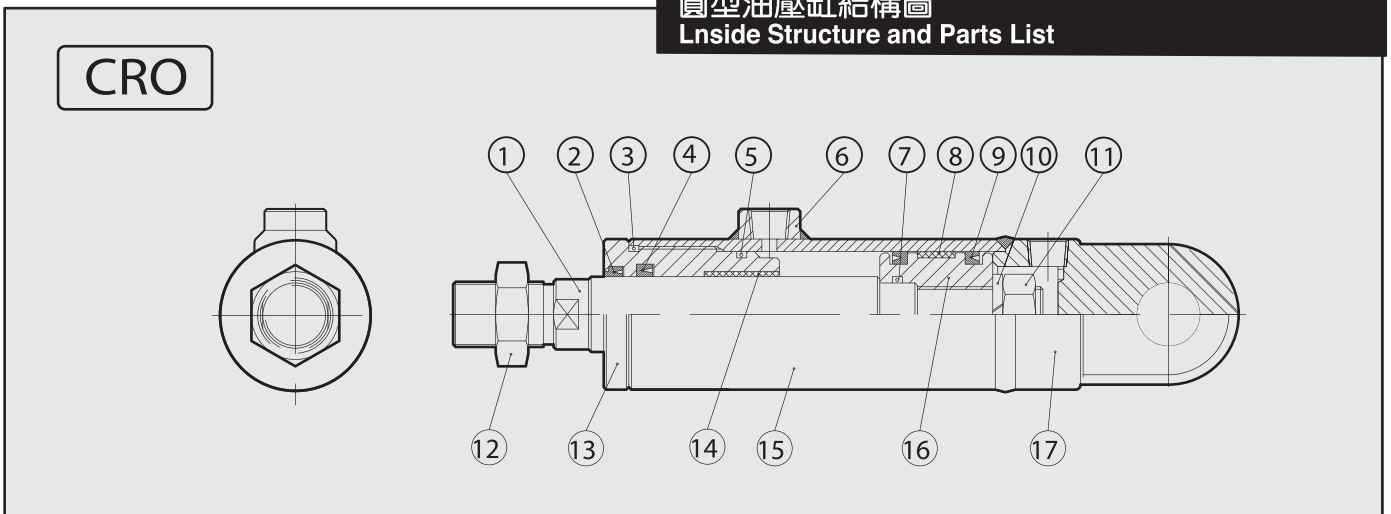
## CRO-B-063-A-A-035-0100-N-N



1	型式 / TYPE	B: 車牙型 B: Standard type		A: 平尾形型 A: CA TYPE			
		C: CA型 C: CA type		CB: 平尾形型 CB: CB TYPE			
2	缸徑/外徑 CYLINDER BORE	Ø50/Ø60	Ø63/Ø73	Ø80/Ø95	Ø100/Ø114	Ø125/Ø140	
備註: 本系列鋼管與後蓋均採用焊接式做為主要連結方式 如有其他需求歡迎來電與業務人員洽詢							
3	油封選用 SEAL SYMBOL 油封材質/Seal material	適用作動油種類 Kind of Fluid					
		一般礦物性作動油 Pertroleum-Based fluid	水乙二醇 Water-Glycol fluid	磷酸酯油 Phosphate-Ester fluid	OW作動油 Water in oil fluid	W/O作動油 Oil in Water fluid	
		A PU Polyurethane rubber	○	×	×	△	△
		B NBR Nitrile rubber	○	○	×	○	○
C VITON Fluoro elastomer	○	×	○	○	○		
備註: 允許使用 ○ 不允許使用 × 請與我們洽詢 △ , 其他還有特殊材質油封, 歡迎來電洽詢 Note: allowable ○ unallowable × consult us △							
4	入油口位置填入 Port position	前蓋端 Head	A:上(標準型)/B:右/C:下/D:左 A:UP(Standard)/B:Right/C:Down/D:Left				
		後蓋端 Cap	A:上(標準型)/B:右/C:下/D:左 A:UP(Standard)/B:Right/C:Down/D:Left				
		A=AA / B=BB / C=CC / D=DD E=AB / F=AC / G=AD / H=BA I=BC / J=BD / K=CA / L=CB M=CD / N=DA / O=DB / P=DC					
5	軸心/ROD	缸徑	Ø50	Ø63	Ø80	Ø100	Ø125
		標準	Ø30	Ø35	Ø40	Ø50	Ø60
		最大	Ø40	Ø50	Ø60	Ø80	Ø100

6	行程/STROKE	填入需要之衝程 Max Permissible stroke					
		備註:標準品最大衝程,內徑 $\phi 40\sim\phi 125$ 衝程為1499mm,長衝程訂製時,因考量前蓋與活塞側向支撐力,另外因考量油壓缸固定形式與軸心撓曲度等等問題,需在計算強度或參閱技術資料或敬請與我們洽詢					
7	缸體 固定方式 BORE ACCESSORY	名稱 DESCRIPTION	記號 SYMBOL	略圖 CONFIGURATION	名稱 DESCRIPTION	記號 SYMBOL	略圖 CONFIGURATION
		前蓋矩形法蘭 Rectangular flange at cylinder head	<b>FA</b>		後蓋矩形法蘭 Rectangular flange at cylinder cap	<b>FB</b>	
		中間固定耳軸型 Centre trunnion mounting	<b>TC</b>				
		備註:缸體固定如有其它方式可繪製圖面或與我們營業人員洽詢 Note: If the cylinder is fixed in other ways, you can draw a sketch or contact our sales staff					
8	軸心 用配件 ROD ACCESSORY	名稱 DESCRIPTION	記號 SYMBOL	略圖 CONFIGURATION	名稱 DESCRIPTION	記號 SYMBOL	略圖 CONFIGURATION
		Y型接頭 Rod Clevis	<b>HY</b>		Y型接頭附 插銷 Rod Clevis With Pin	<b>YP</b>	
		I型接頭 I Rod end mounting	<b>HI</b>		浮動接頭 Compensating Joint	<b>KG</b>	
		魚眼接頭 Oscillating Eye	<b>PH</b>		T型接頭 T Rod end mounting	<b>HT</b>	
		焊接接頭 H Rod end mounting	<b>HH</b>				
備註:軸心固定如有其它方式,可繪製圖面或與我們營業人員洽詢 Note: If the axis is fixed in other ways, you can draw a sketch or contact our sales staff							

圓型油壓缸結構圖  
Inside Structure and Parts List



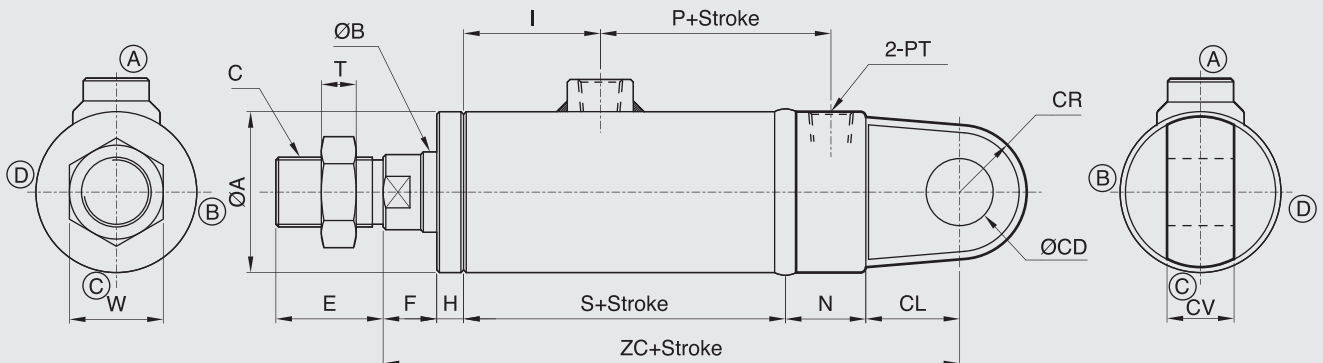
NO	零件名 Part mane	數量 Quantity	NO	零件名 Part mane	數量 Quantity	NO	零件名 Part mane	數量 Quantity
1	活塞桿 Piston rod	1	7	O型環 Gasket	1	13	前蓋 Rod cover	1
2	刮油環 Dust wiper	1	8	耐磨環 Wearing ring	1	14	乾式軸承 Frimet	1
3	O型環 Gasket	1	9	橡膠活塞環 Piston packing	2	15	缸管本體 Cylinder tube	1
4	軸用封環 Rod packing	1	10	彈簧華司 Spring washer	1	16	活塞本體 Piston	1
5	O型環 Gasket	1	11	螺帽 Nut	1	17	後蓋 End cover	1
6	PT接頭 PT Connectors	1	12	軸心螺帽 Ror nut	1	18		

# CRO-CA, CB

Series

圓型(焊1PT)油壓缸CA, CB尺寸圖  
14Mpa CRO Series CA, CB Dimensional Features

## CROC CRO+CA TYPE



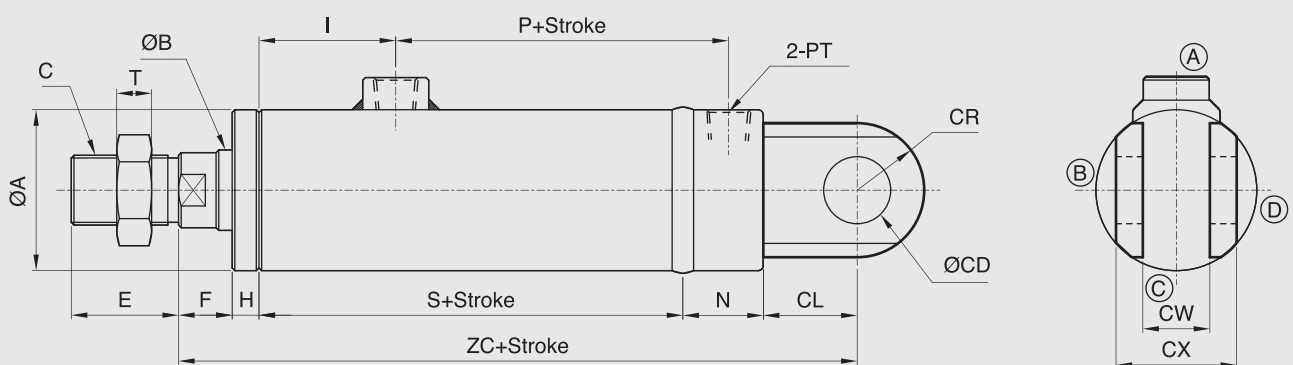
CRO TYPE																CA TYPE				
BORE	SIZE	ØA	ØB	C	E	F	H	I	N	P	PM	PT	S	W	T	ZC	ØCD	CL	CV	CR
Ø50	60	30	M26XP1.5	40	20	10	56	30	71	45	3/8	110	35	13	205	25	35	25	25	
Ø63	73	35	M30XP1.5	45	25	10	56	35	79	50	3/8	115	41	13	230	30	45	30	30	
Ø80	95	40	M30XP1.5	50	25	15	64	40	83	50	3/8	125	41	13	255	30	50	35	30	
Ø100	114	50	M40XP2.0	55	25	20	78	40	94	60	1/2	150	55	15	295	35	60	40	35	
Ø125	140	60	M50XP2.0	70	35	20	78	50	109	70	1/2	160	65	15	335	50	70	55	50	

備註：

- 軸心加大或縮小時如未註明長度尺寸時,依照本公司規定自行加工。
- 本系列規格表之PM代表為活塞長度,行程於1499mm以下之標準長度。
- 本系列行程如超過1500mm(含)以上時,活塞長度(PM)請參閱特性資料表。
- 本系列另有CA孔與PT孔一直線(CA反裝)之做法。

- The length and size of axis were not specific to constructed must be according to our company design's modify without prior notice.
- The stroke within 1499mm of standard piston length(PM).
- The series stroke exceed (includes) 1500mm, as see the property information for increased the length (PM) of piston.
- Second setting ØCA and ØPT is on the same line.(CA reverse setting.)

## CROCB CRO+CB TYPE



CRO TYPE																CB TYPE				
BORE	SIZE	ØA	ØB	C	E	F	H	I	N	P	PM	PT	S	T	ZC	ØCD	CL	CR	CW	CX
Ø50	60	30	M26XP1.5	40	20	10	56	30	71	45	3/8	110	13	205	25	35	25	26	46	
Ø63	73	35	M30XP1.5	45	25	10	56	35	79	50	3/8	115	13	230	30	45	30	31	56	
Ø80	95	40	M30XP1.5	50	25	15	64	40	83	50	3/8	125	13	255	30	50	30	36	66	
Ø100	114	50	M40XP2.0	55	25	20	78	40	94	60	1/2	150	15	295	35	60	35	41	81	
Ø125	140	60	M50XP2.0	70	35	20	78	50	109	70	1/2	160	15	335	50	70	50	56	106	

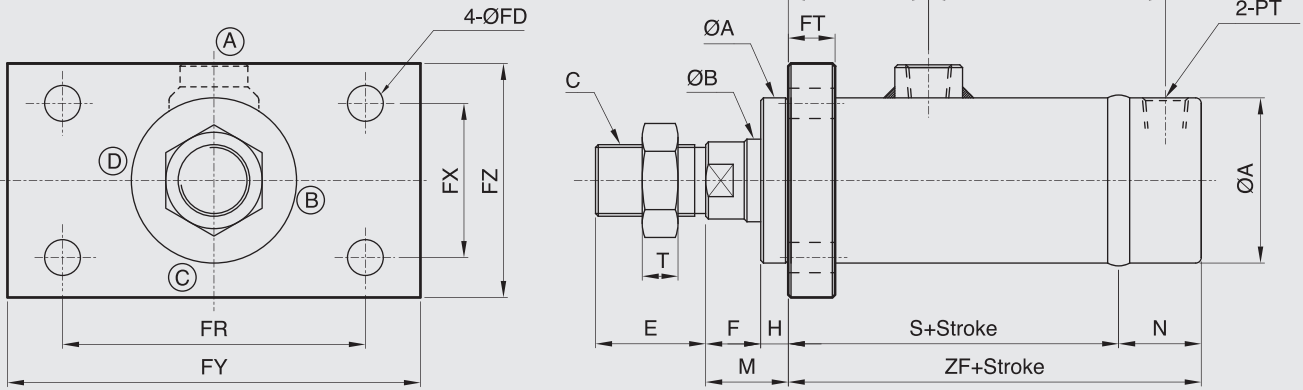
備註：

- 軸心加大或縮小時如未註明長度尺寸時,依照本公司規定自行加工。
- 本系列規格表之PM代表為活塞長度,行程於1499mm以下之標準長度。
- 本系列行程如超過1500mm(含)以上時,活塞長度(PM)請參閱特性資料表。
- 本系列另有CB孔與PT孔一直線(CB反裝)之做法。

- The length and size of axis were not specific to constructed must be according to our company design's modify without prior notice.
- The stroke within 1499mm of standard piston length(PM).
- The series stroke exceed (includes) 1500mm, as see the property information for increased the length (PM) of piston.
- Second setting ØCB and ØPT is on the same line.(CB reverse setting.)

## 圓型(焊1PT)中型油壓缸FA,FB板尺寸圖 14Mpa CRO Series FA,CB Dimensional Features

### CROA CROA+FA TYPE



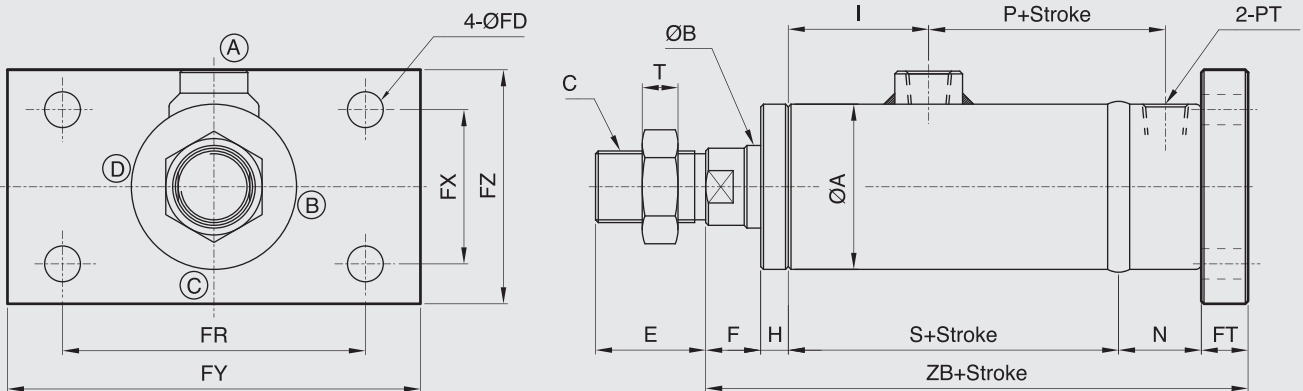
BORE	SIZE	CRO TYPE														FA TYPE					
		ØA	ØB	C	E	F	H	I	M	N	P	PM	PT	S	T	ZF	ØFD	FT	FR	FX	FY
Ø50	60	30	M26XP1.5	40	20	10	56	30	30	71	45	3/8	110	13	140	14	17	110	56	150	85
Ø63	73	35	M30XP1.5	45	25	10	56	35	35	79	50	3/8	115	13	150	14	17	126	68	155	95
Ø80	95	40	M30XP1.5	50	25	15	64	40	40	83	50	3/8	125	13	165	18	20	152	75	190	120
Ø100	114	50	M40XP2.0	55	25	20	78	45	40	94	60	1/2	150	15	190	20	20	180	100	220	140
Ø125	140	60	M50XP2.0	70	35	20	78	55	50	109	70	1/2	160	15	210	24	30	222	122	280	170

備註：

- 1.本系列軸心加大如未註明長度尺寸時,依照本公司規定自行加工。
- 2.本系列規格表之PM代表為活塞長度,行程於1499mm以下之標準長度。
- 3.本系列行程如超過1500mm(含)以上時,活塞長度(PM)請參閱特性資料表。

- 1.The length and size of axis were not specific to constructed must be according to our company design's modify without prior notice.
- 2.The stroke within 1499mm of standard piston length (PM).
- 3.The series stroke exceed (includes) 1500mm, as see the property information for increased the length (PM) of piston.

### CROB CROB+FB TYPE



BORE	SIZE	CRO TYPE														FB TYPE					
		ØA	ØB	C	E	F	H	I	N	P	PM	PT	S	T	ZB	ØFD	FT	FR	FX	FY	FZ
Ø50	60	30	M26XP1.5	40	20	10	56	30	71	45	3/8	110	13	187	14	17	110	56	150	85	
Ø63	73	35	M30XP1.5	45	25	10	56	35	79	50	3/8	115	13	202	14	17	126	68	155	95	
Ø80	95	40	M30XP1.5	50	25	15	64	40	83	50	3/8	125	13	225	18	20	152	75	190	120	
Ø100	114	50	M40XP2.0	55	25	20	78	40	94	60	1/2	150	15	255	20	20	180	100	220	140	
Ø125	140	60	M50XP2.0	70	35	20	78	50	109	70	1/2	160	15	295	24	30	222	122	280	170	

備註：

- 1.本系列軸心加大如未註明長度尺寸時,依照本公司規定自行加工。
- 2.本系列規格表之PM代表為活塞長度,行程於1499mm以下之標準長度。
- 3.本系列行程如超過1500mm(含)以上時,活塞長度(PM)請參閱特性資料表。

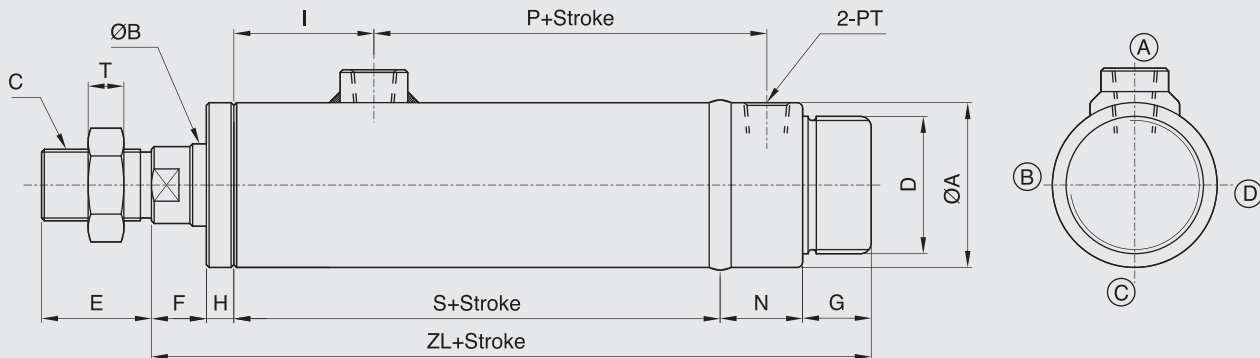
- 1.The length and size of axis were not specific to constructed must be according to our company design's modify without prior notice.
- 2.The stroke within 1499mm of standard piston length (PM).
- 3.The series stroke exceed (includes) 1500mm, as see the property information for increased the length (PM) of piston.

# CRO-LB, TC

Series

圓型(焊1PT)油壓缸LB型, TC尺寸圖  
14Mpa CRO Series LB, TC Dimensional Features

## CROB CROB TYPE



### CRO TYPE

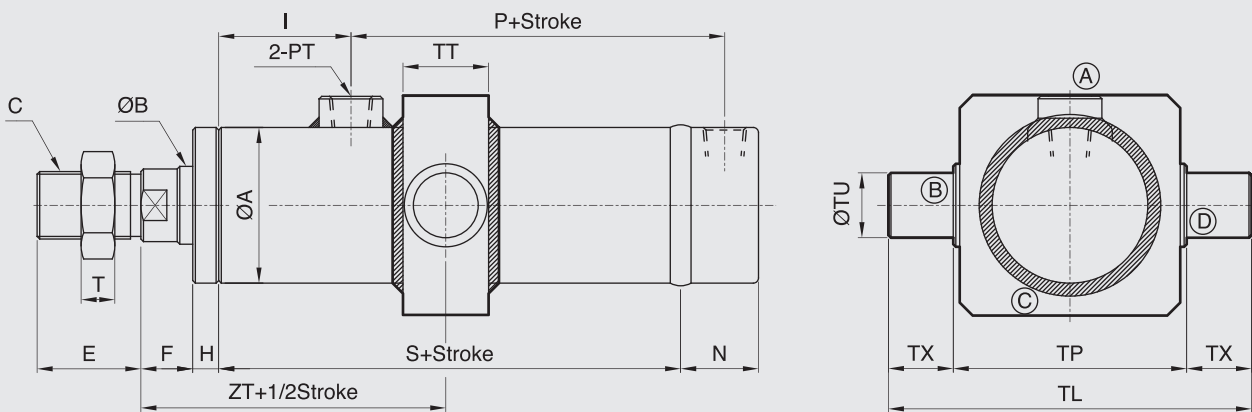
BORE	SIZE	ØA	ØB	C	D	E	F	G	H	I	N	P	PM	PT	S	T	ZL
Ø50	60	30	M26XP1.5	M50XP2.0	40	20	25	10	56	30	71	45	3/8	110	13	195	
Ø63	73	35	M30XP1.5	M60XP2.0	45	25	30	10	56	35	79	50	3/8	115	13	215	
Ø80	95	40	M30XP1.5	M70XP2.0	50	25	30	15	64	40	83	50	3/8	125	13	235	
Ø100	114	50	M40XP2.0	M90XP2.0	55	25	30	20	78	40	94	60	1/2	150	15	265	
Ø125	140	60	M50XP2.0	M120XP2.0	70	35	30	20	78	50	109	70	1/2	160	15	295	

備註：

- 1.本系列軸心加大如未註明長度尺寸時,依照本公司規定自行加工。
- 2.本系列規格表之PM代表為活塞長度,行程於1499mm以下之標準長度。
- 3.本系列行程如超過1500mm(含)以上時,活塞長度(PM)請參閱特性資料表。

- 1.The length and size of axis were not specific to constructed must be according to our company design's modify without prior notice.
- 2.The stroke within 1499mm of standard piston length(PM).
- 3.The series stroke exceed (includes) 1500mm, as see the property information for increased the length (PM) of piston.

## CROA CROA+TC TYPE



### CRO TYPE

### TC TYPE

BORE	SIZE	ØA	ØB	C	E	F	H	I	N	P	PM	PT	S	T	ZT	ØTU	TP	TL	TT	TX
Ø50	60	30	M26XP1.5	40	20	10	56	30	71	45	3/8	110	13	85	25	90	140	33	25	
Ø63	73	35	M30XP1.5	45	25	10	56	35	79	50	3/8	115	13	92.5	32	102	166	40	32	
Ø80	95	40	M30XP1.5	50	25	15	64	40	83	50	3/8	125	13	102.5	32	120	184	43	32	
Ø100	114	50	M40XP2.0	55	25	20	78	40	94	60	1/2	150	15	120	40	140	220	53	40	
Ø125	140	60	M50XP2.0	70	35	20	78	50	109	70	1/2	160	15	135	50	175	275	58	50	

備註：

- 1.本系列軸心加大如未註明長度尺寸時,依照本公司規定自行加工。
- 2.本系列規格表之PM代表為活塞長度,行程於1499mm以下之標準長度。
- 3.本系列行程如超過1500mm(含)以上時,活塞長度(PM)請參閱特性資料表。

- 1.The length and size of axis were not specific to constructed must be according to our company design's modify without prior notice.
- 2.The stroke within 1499mm of standard piston length(PM).
- 3.The series stroke exceed (includes) 1500mm, as see the property information for increased the length (PM) of piston.